

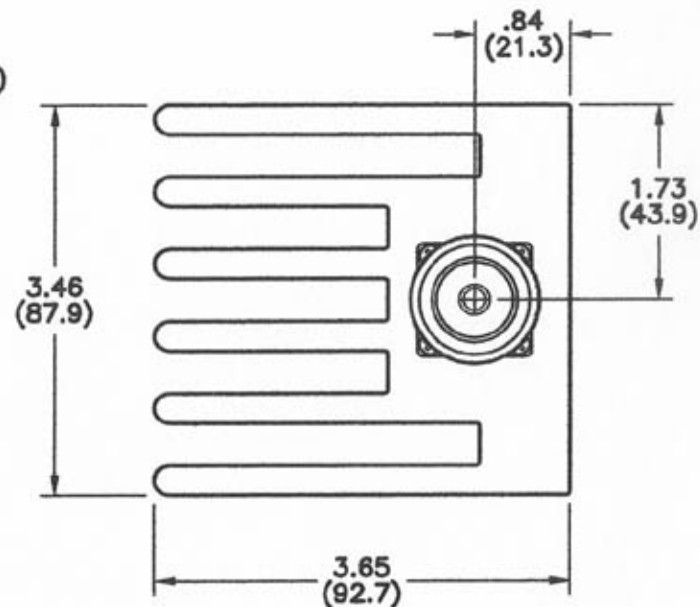
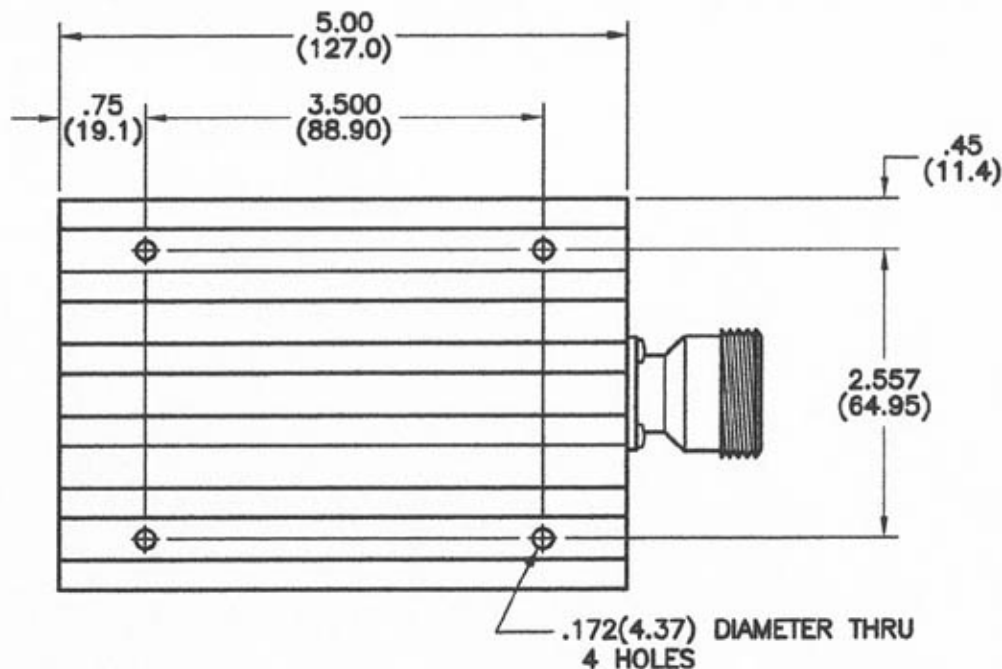
4

3

2

1

REVISIONS					
REV	ZONE	DESCRIPTION	DATE	BY	ECO



SPECIFICATIONS

FREQUENCY RANGE - DC TO 3.0 GHz

IMPEDANCE - 50 OHMS

VSWR (DC - 1.5 GHz) - 1.15:1

(1.5 - 2.4 GHz) - 1.20:1

(2.4 - 3.0 GHz) - 1.25:1

INPUT POWER (AVG.) - 100 WATTS

(PEAK) - 2000 WATTS

OPERATING TEMPERATURE - -55°C TO +125°C

CONNECTOR - 7/16 DIN FEMALE

DIMENSIONS: INCHES
(MILLIMETERS)

TOLERANCES		THE INFORMATION CONTAINED IN THIS DOCUMENT IS THE PROPERTY OF MICROWAVE DEVICES, INC. AND IS PROPRIETARY. IT IS NOT TO BE COPIED OR USED FOR ANY PURPOSE OTHER THAN AS INSTRUCTED, IN WRITING, BY MICROWAVE DEVICES, INC.	SIGNATURES		DATE
DEC.XX ± .03	FRAC ±		DR	G.V. Cothron	9-4-08
.XXX ± .010	ANG ±		CHK		
MATERIAL		APPD			
FINISH		APPD			

MICROWAVE DEVICES
(RF and Microwave Components)

**OUTLINE, TERMINATION
MODEL 6100L, 7/16 DIN**

CAGE	SIZE	DRAWING NO.
60674	B	900466-11

DRAWING SCALE 1=1 SHEET 1 OF 1

CONTACT: MICROWAVE DEVICES - 1150 N. GRAHAM RD.
(517) 736-6833 FRANKLIN, IN 46131

DIMENSIONS ARE IN INCHES UNLESS OTHERWISE SPECIFIED.

4

3

2

1